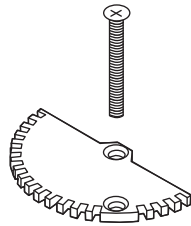
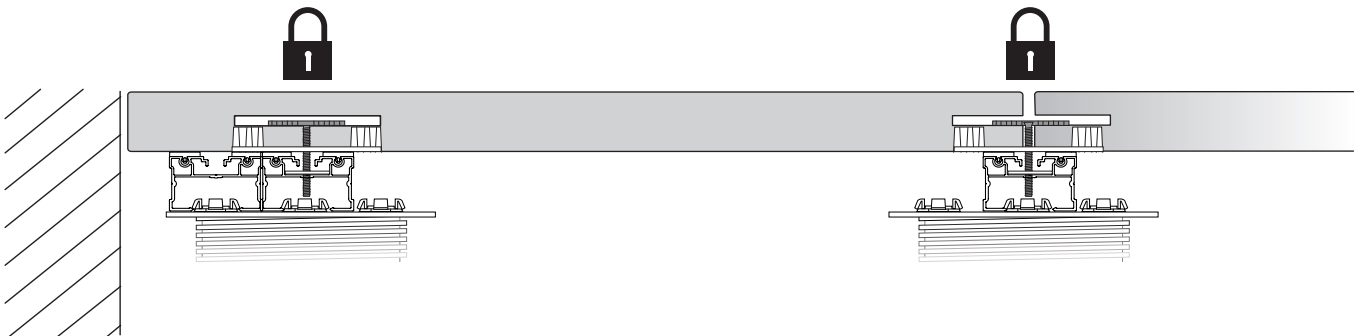
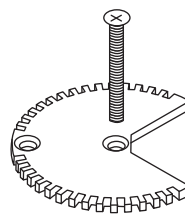
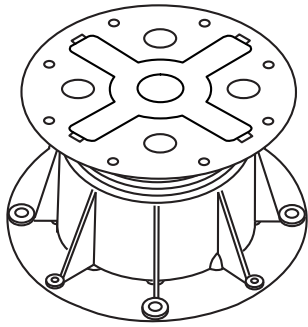


U-LOCK WASHER 1/2
Corner and perimeter tiles

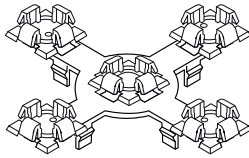


U-LOCK WASHER 3/4
Centre tiles

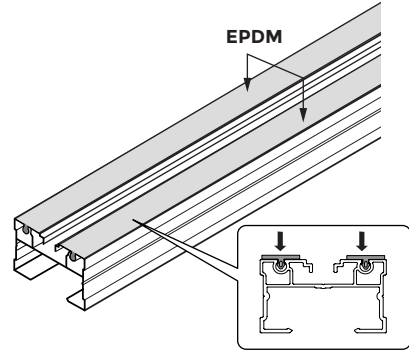




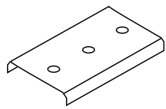
PB-Series



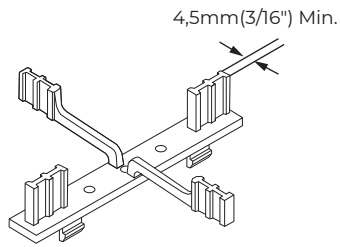
PB-KIT-2



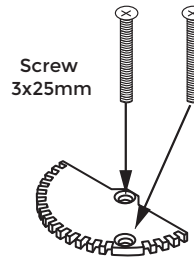
E-BRS
24mm (15/16") or
38mm (1 1/2")



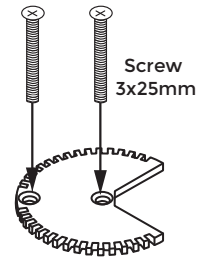
E-BRS-LOCK-PLATE



U-BRS-TABS-4.5MM UPLIFT



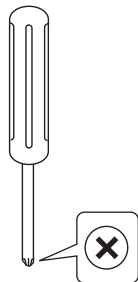
U-LOCK WASHER 1/2



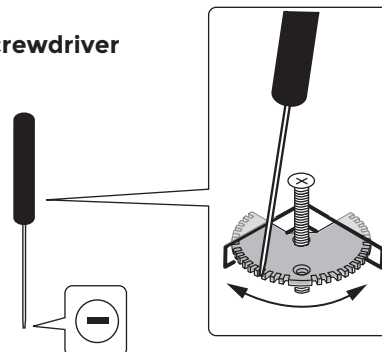
U-LOCK WASHER 3/4

Tools

Screwdriver

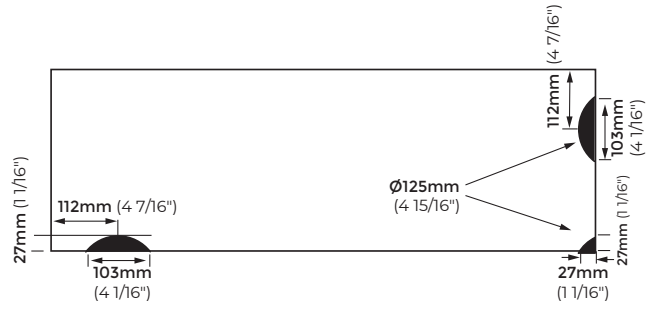
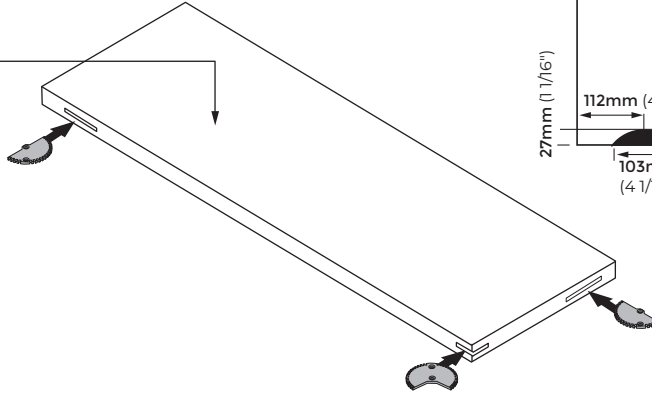
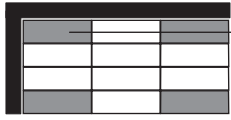


Thin screwdriver

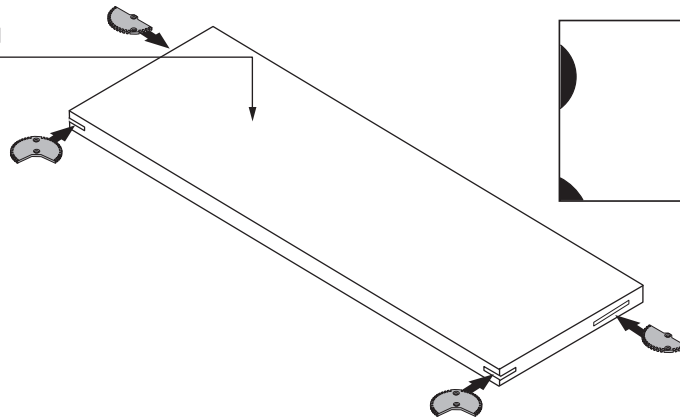
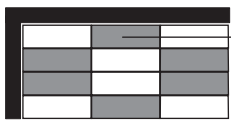


Tile 900x300x20mm (35 7/16" x 11 13/16" x 13/16")

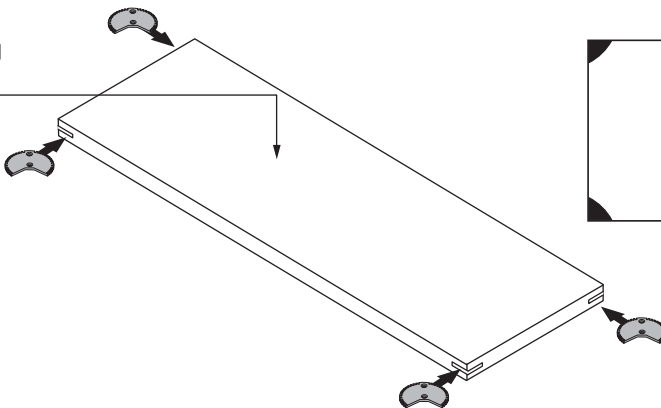
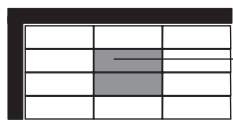
Corner Tile



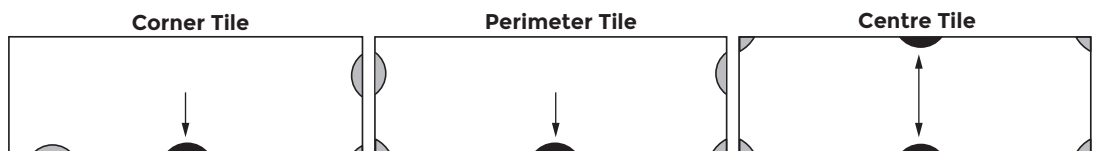
Perimeter Tile



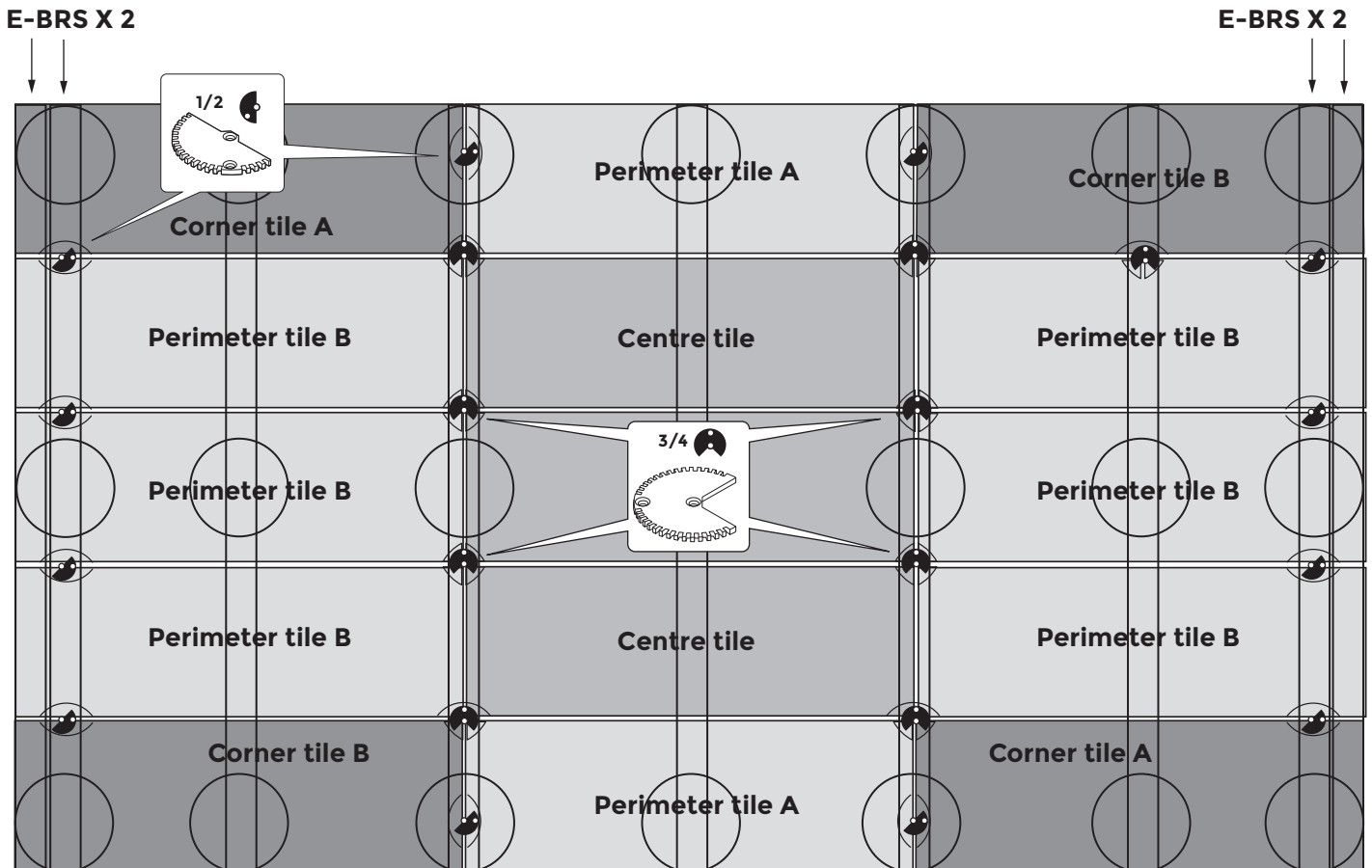
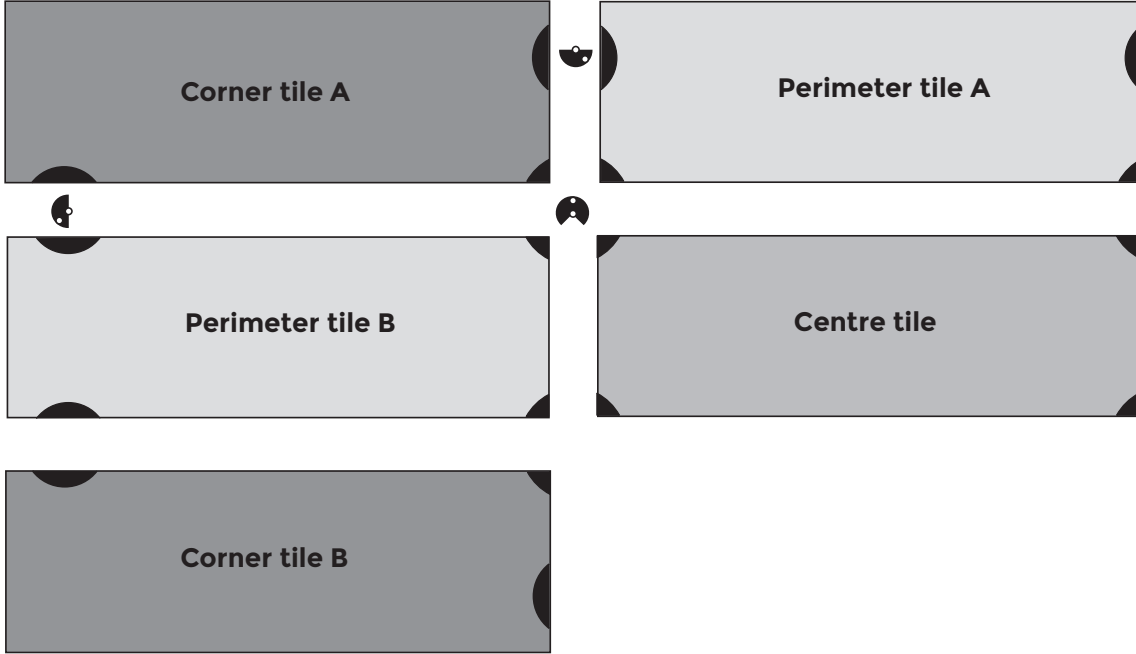
Centre Tile



Additional grooves on requirement

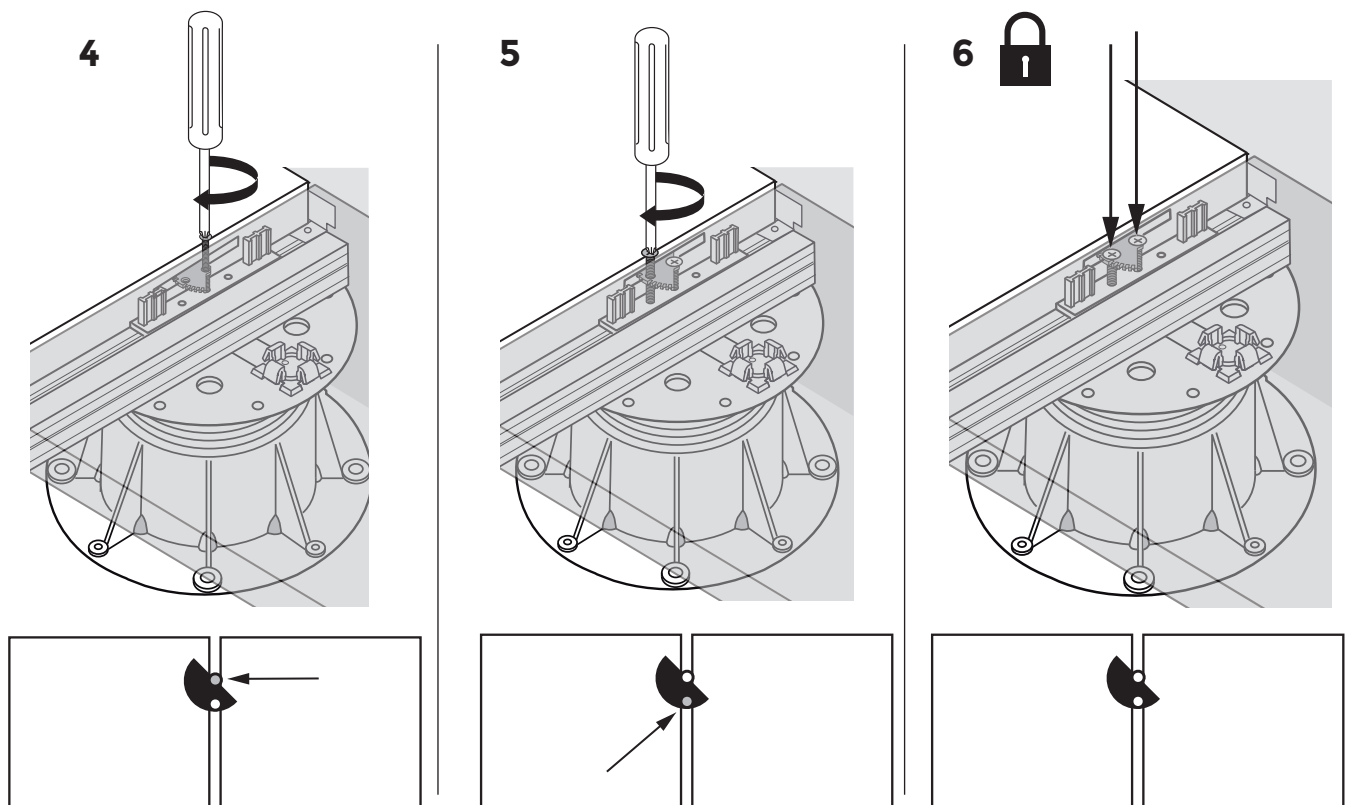
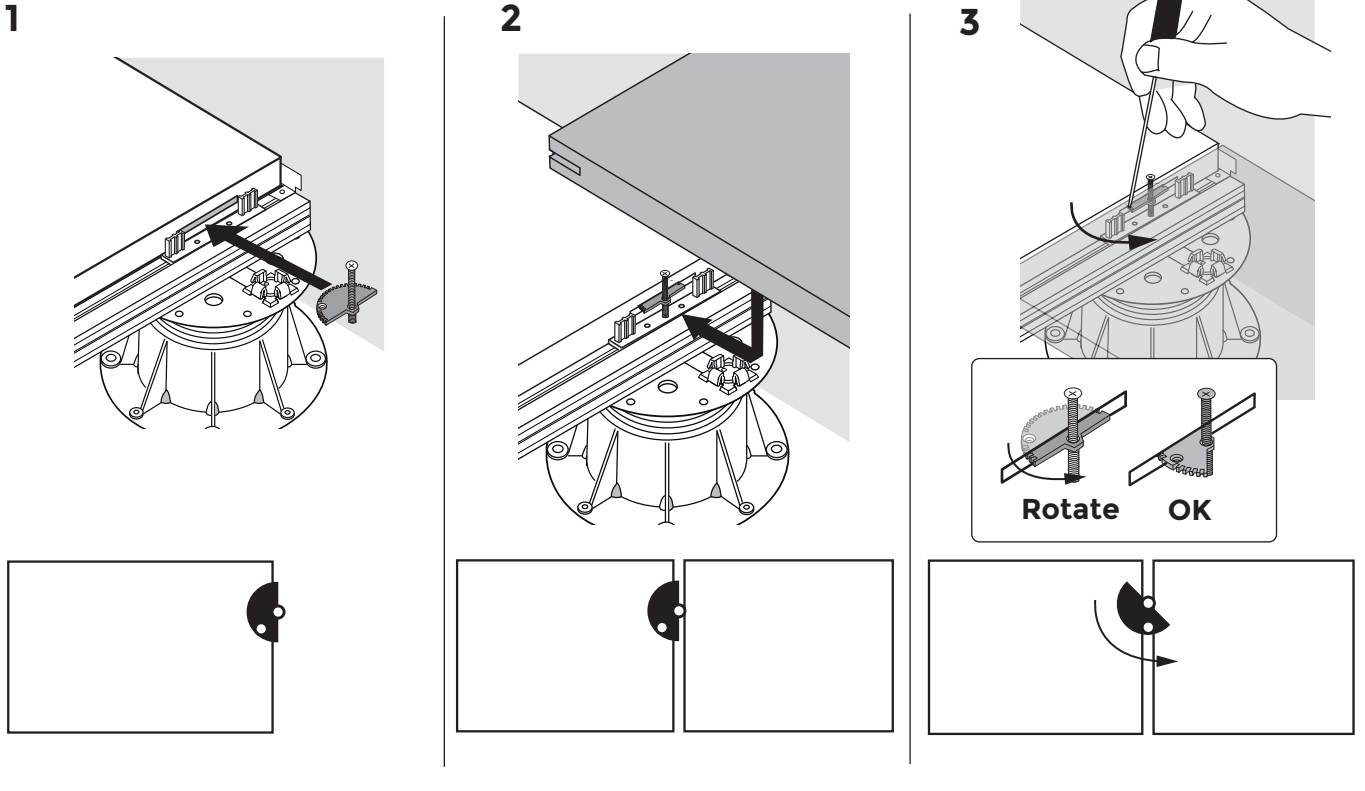


Tile 900x300x20mm (35 7/16" x 11 13/16" x 13/16")



Assembly

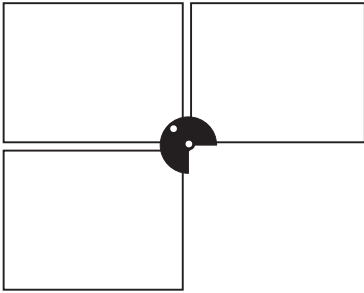
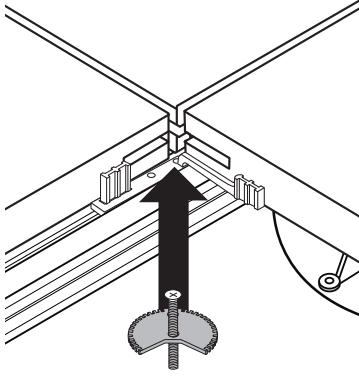
A. Corner and perimeter tiles



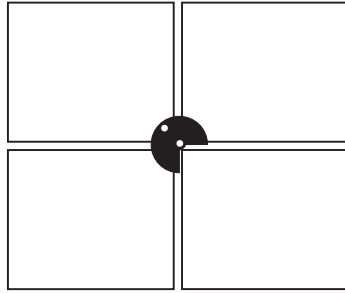
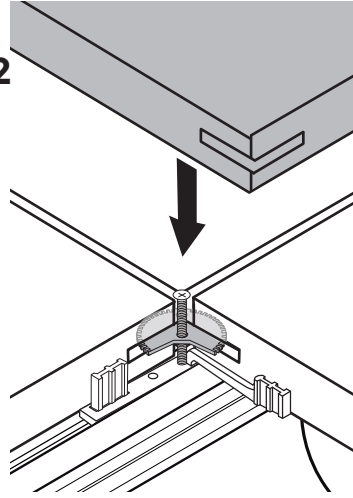
Assembly

B. Centre tiles

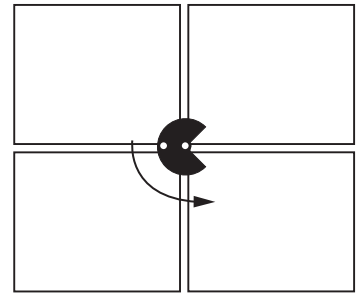
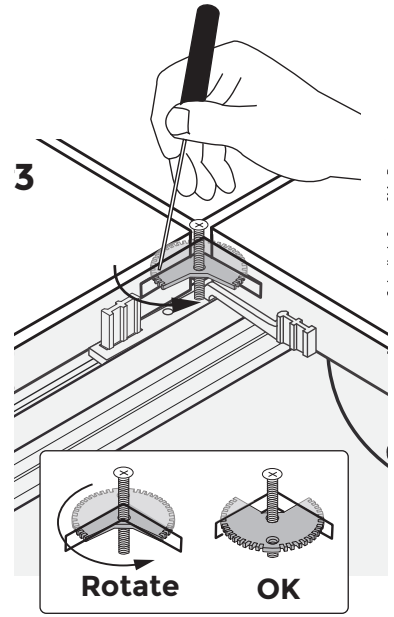
1



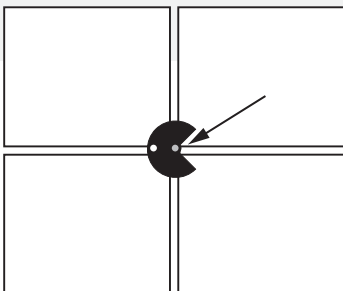
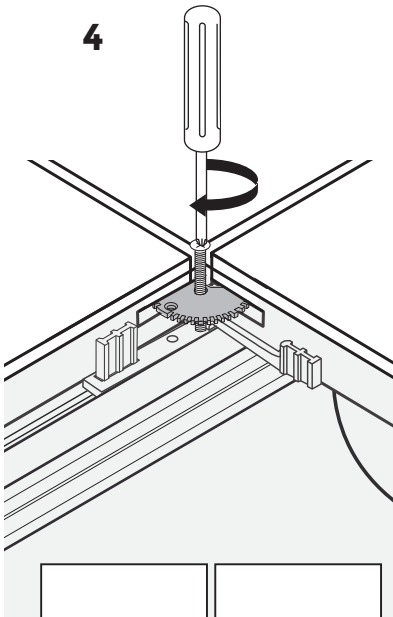
2



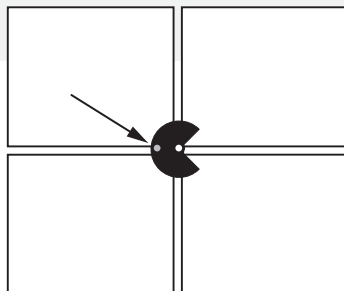
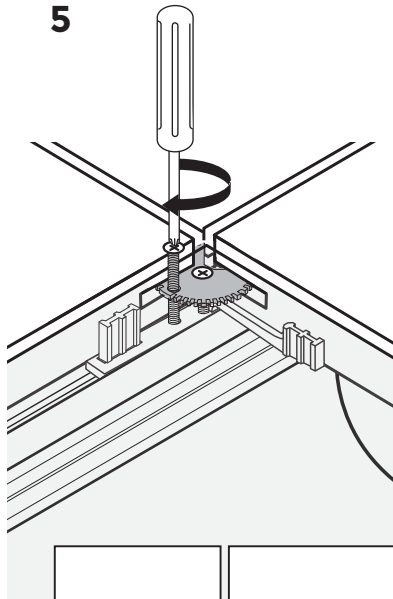
3



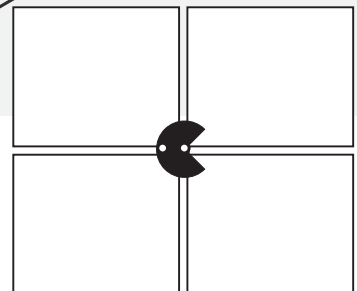
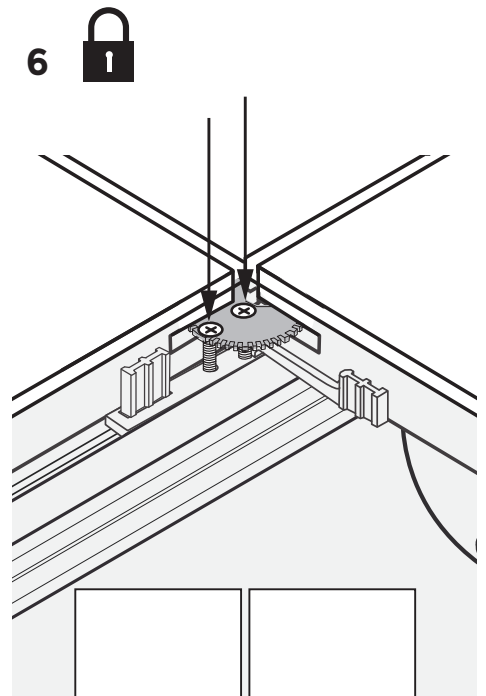
4

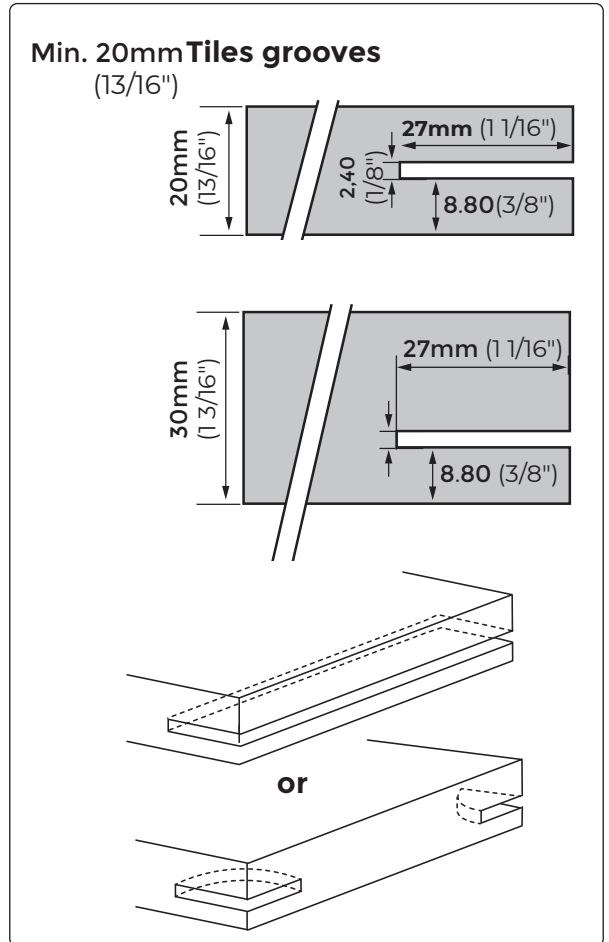
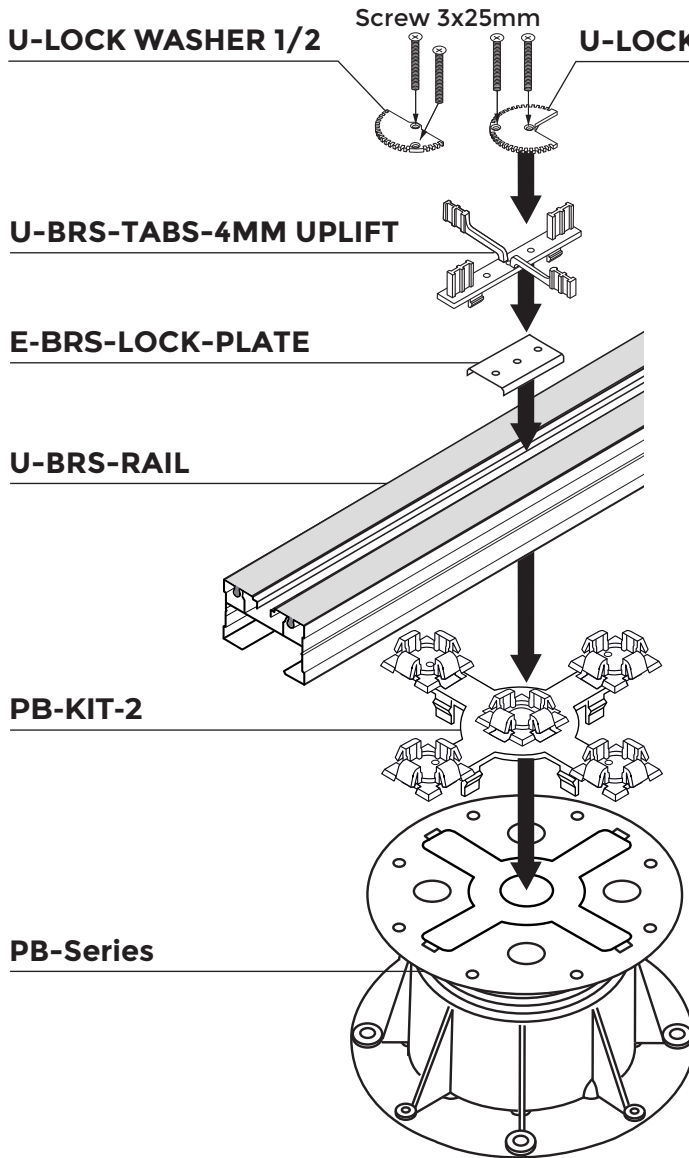


5



6





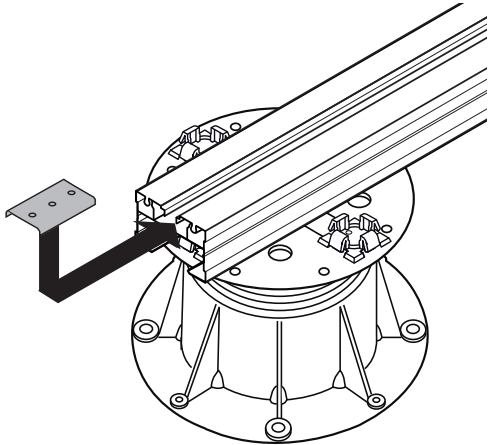
Buzon pedestals and accessories are designed to support external raised floors and terraces, for pedestrian traffic only, and are not designed to support or to be subjected to moving and/or vibrating machinery and equipment, including maintenance and cleaning vehicles, automobiles and other similar vehicles or equipment.

BUZON will not be liable for any damage as result of applications not meeting these requirements, and if the load supported by the pedestals does not comply with the manufacturer's specifications, as provided in the TDS (Technical Data Sheet) of each pedestal, and and for any damage that may occur if the pedestals and/or paving stones are not laid in accordance with the manufacturer's instructions or good practice.

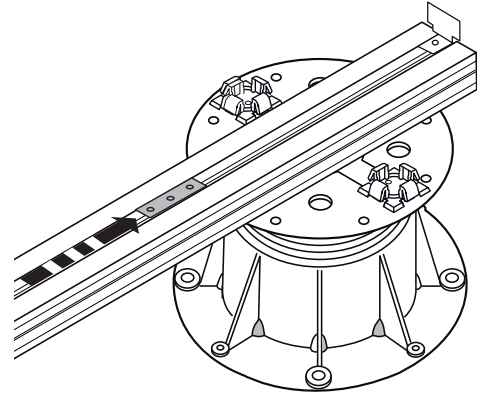
For wind uplift applications in particular, it is always required to check whether the pavers are suitable for raised applications on pedestals, whether they can accept grooves needed for wind uplift applications, and in combination with the wind uplift accessories provided by Buzon, whether local wind uplift requirements are met.

Under no circumstances can BUZON be held responsible for any damage that may occur from wind uplift.

1

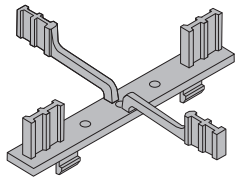


2



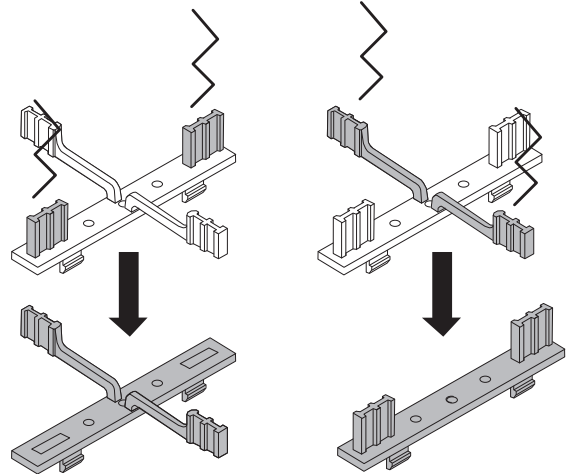
3

Centre tile

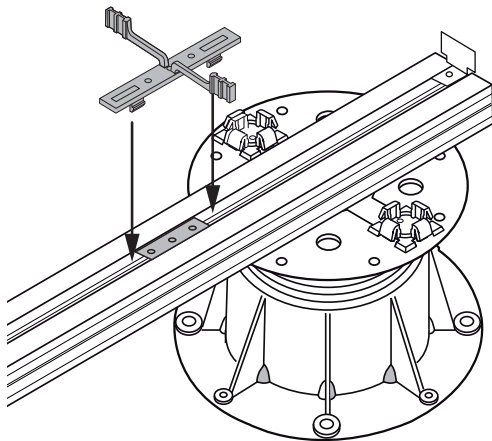


E-BRS-TABS-4,5MM(3/16") UPLIFT

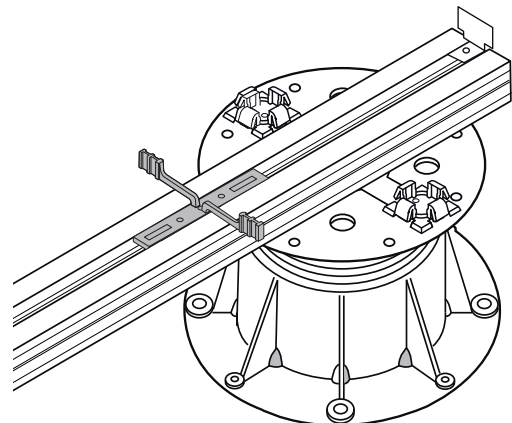
Corner and perimeter tile



4



5

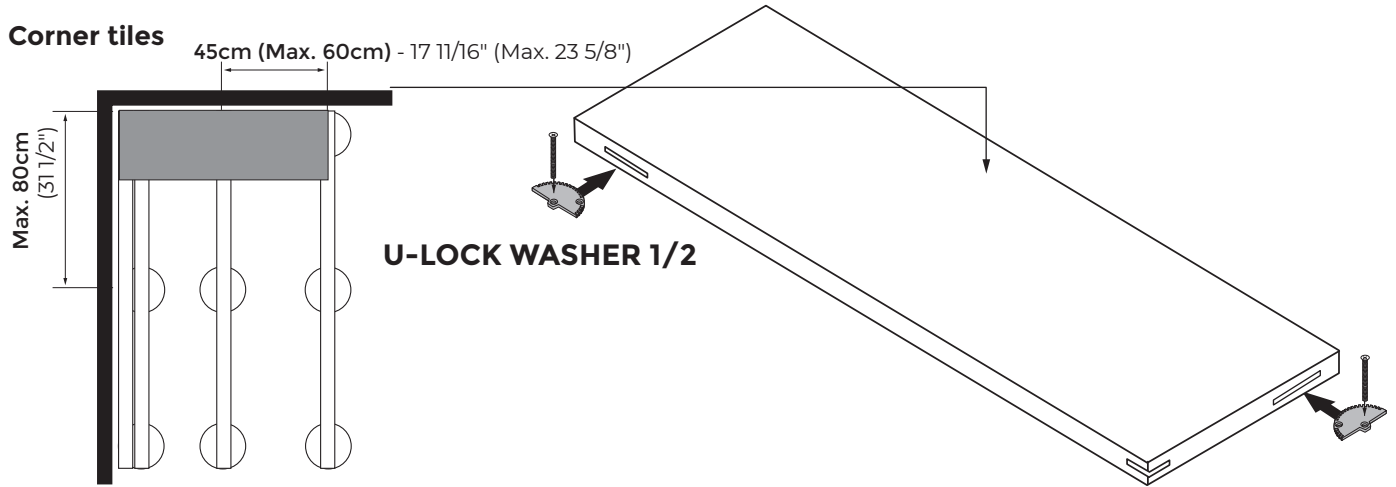


Corner tiles

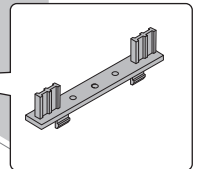
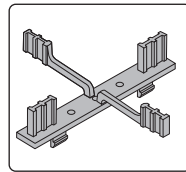
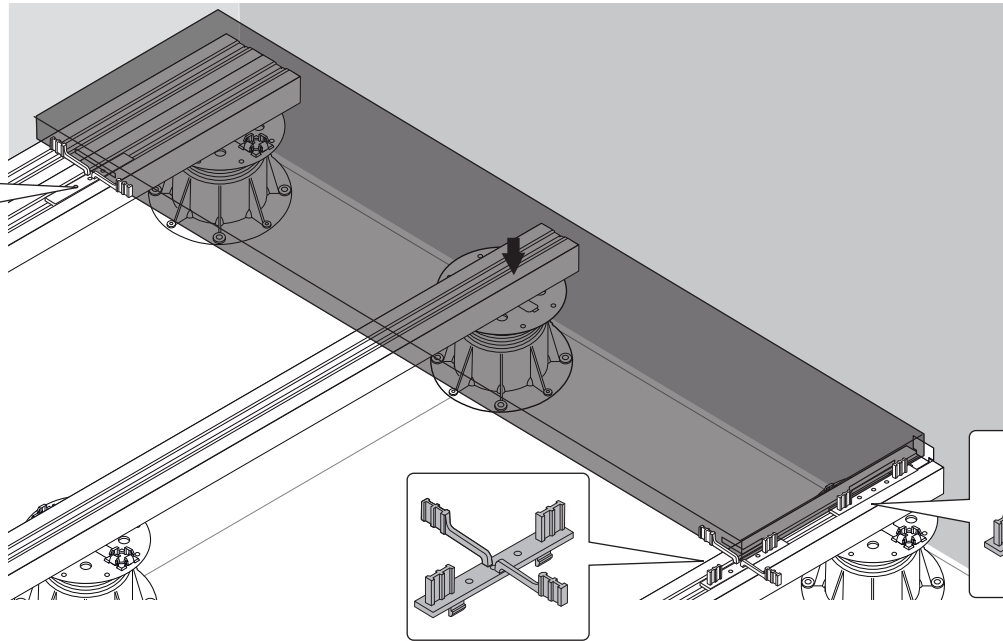
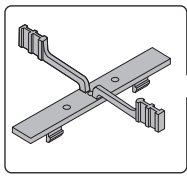
45cm (Max. 60cm) - 17 11/16" (Max. 23 5/8")

Max. 80cm
(31 1/2")

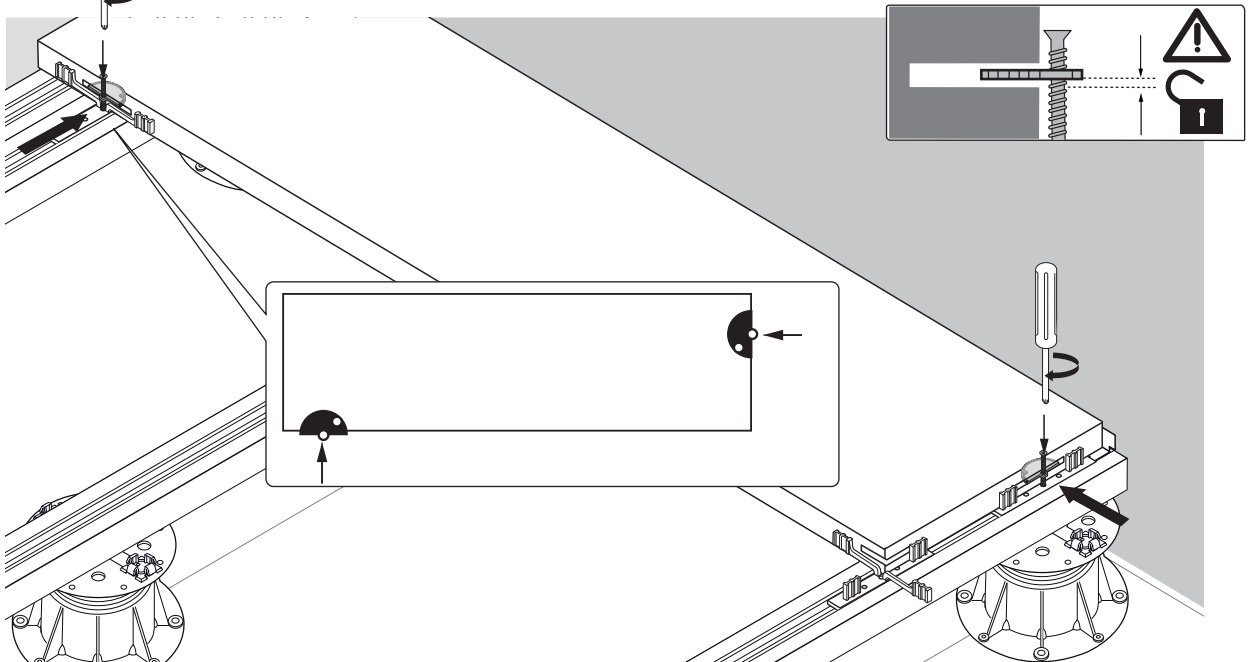
U-LOCK WASHER 1/2



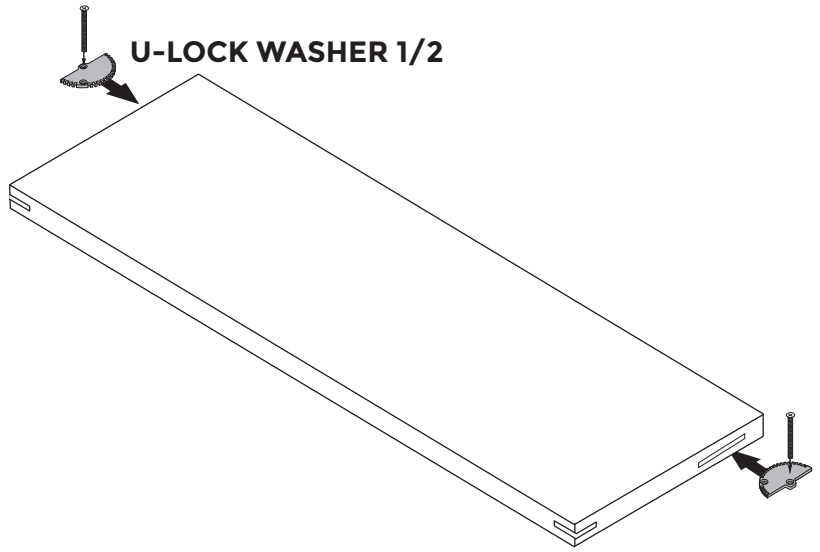
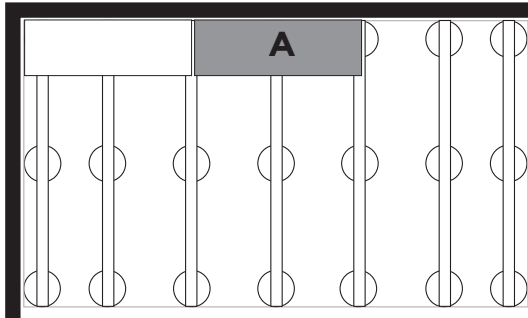
1



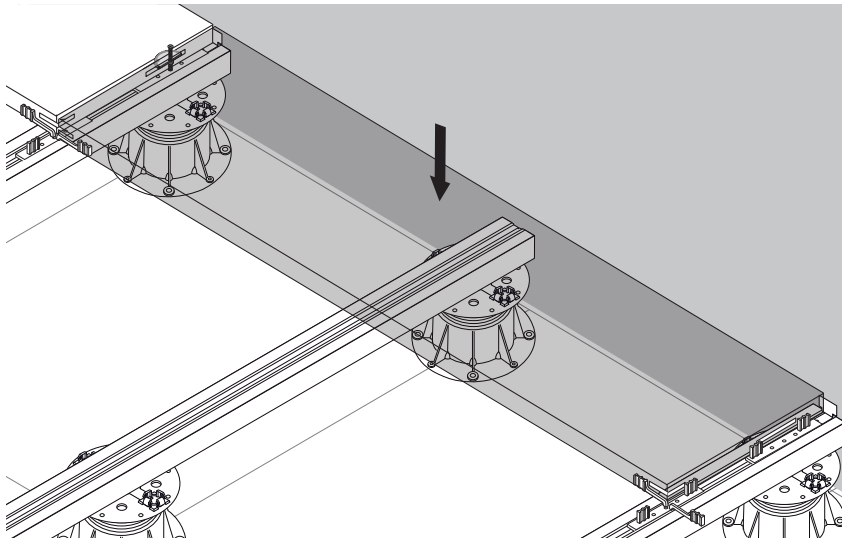
2



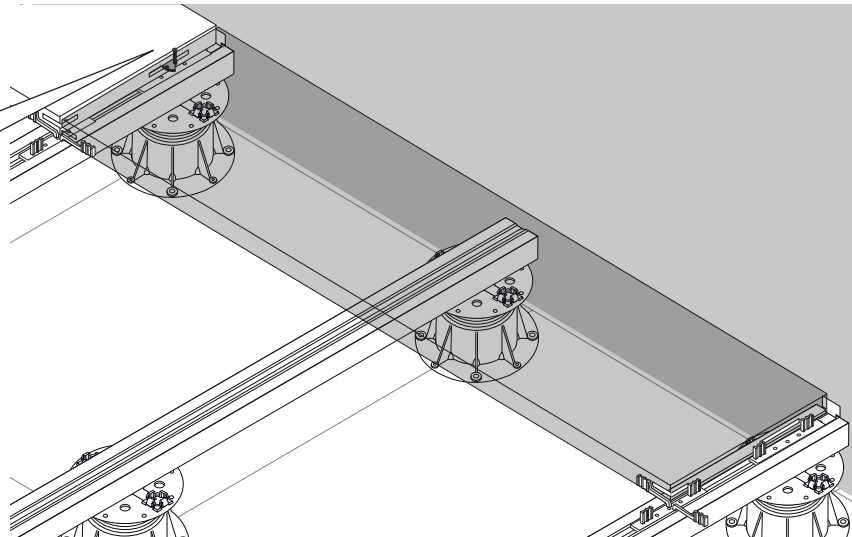
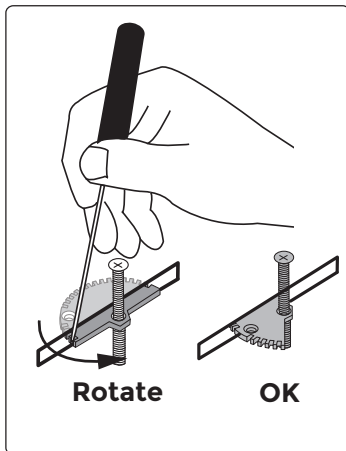
Perimeter tiles



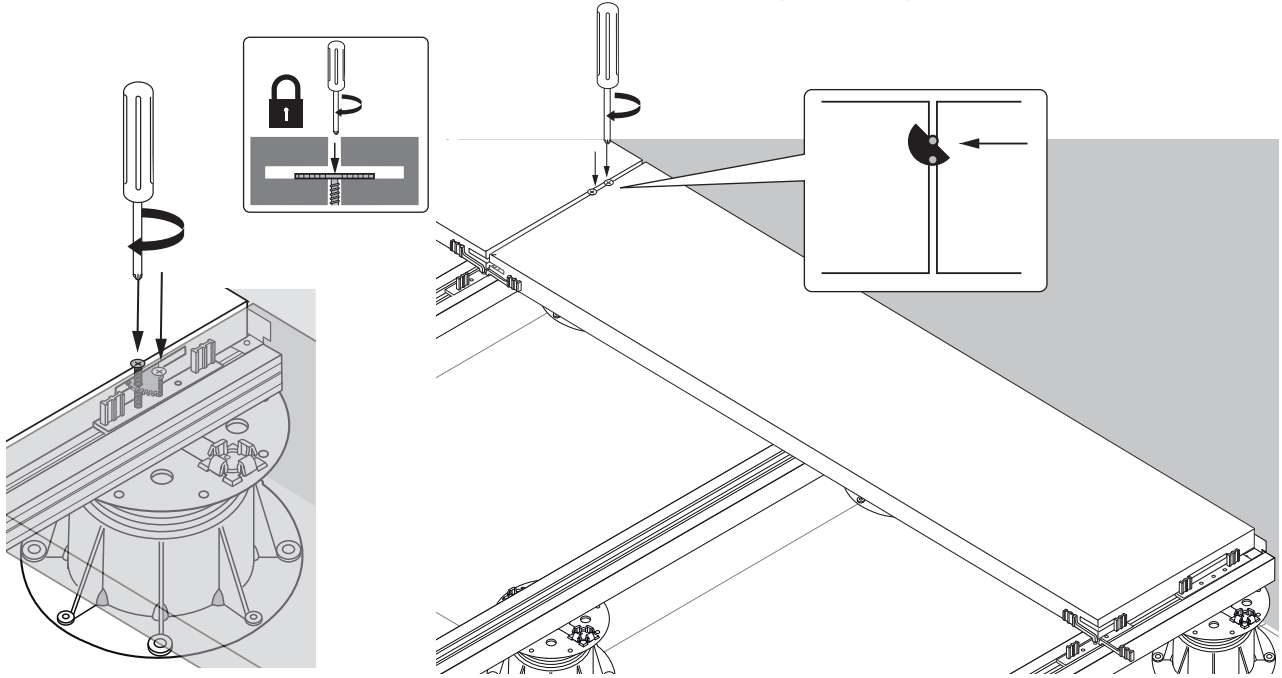
3



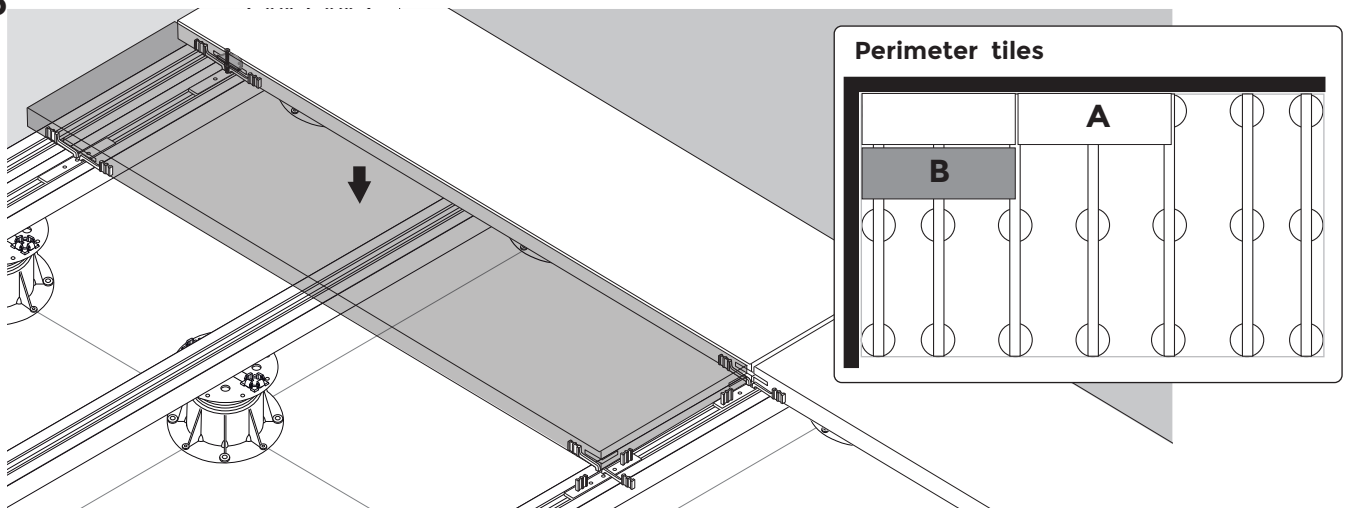
4



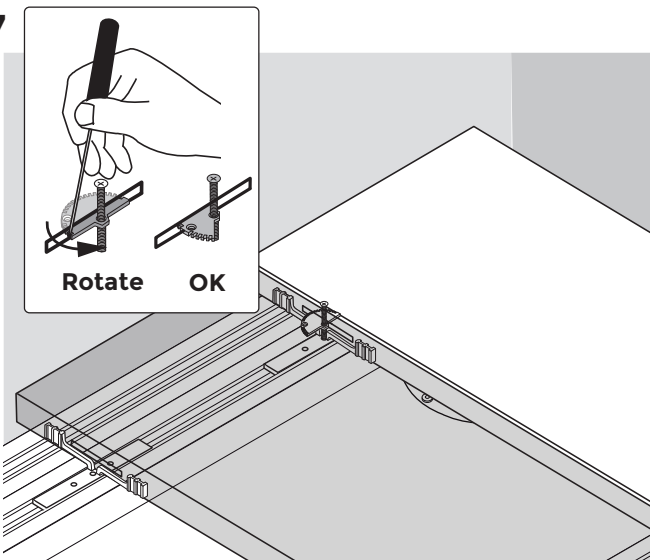
5



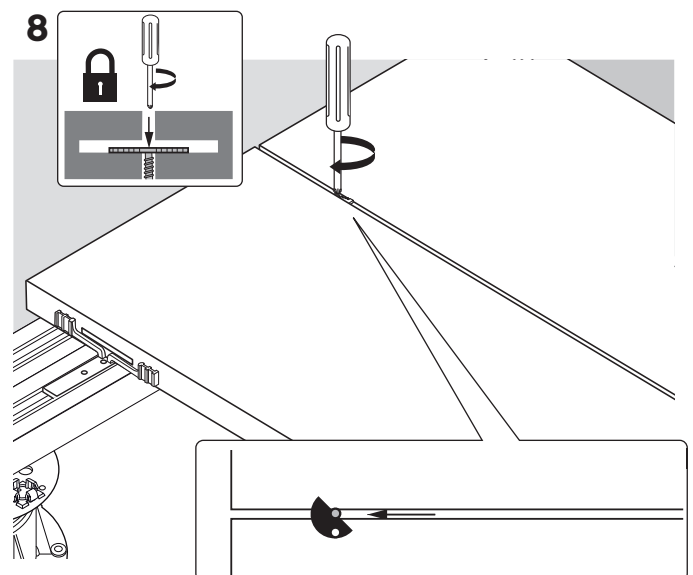
6

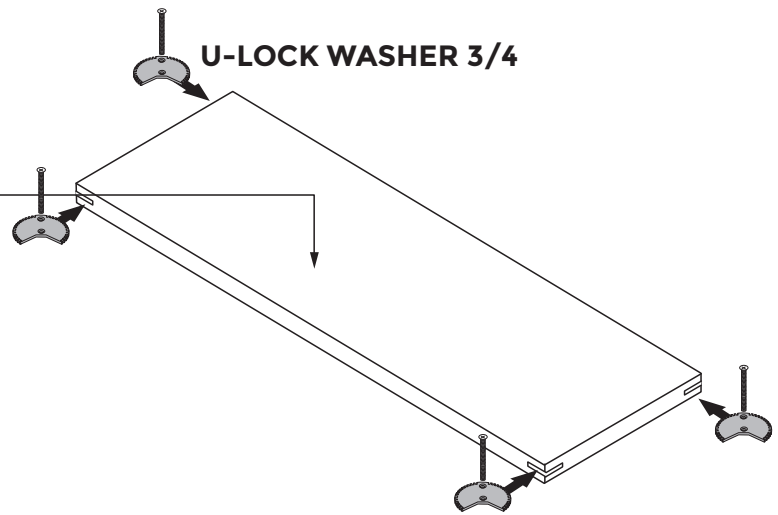
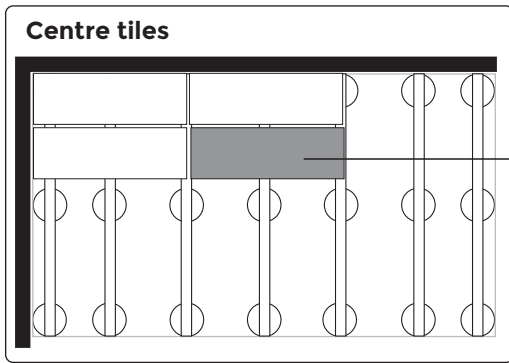


7

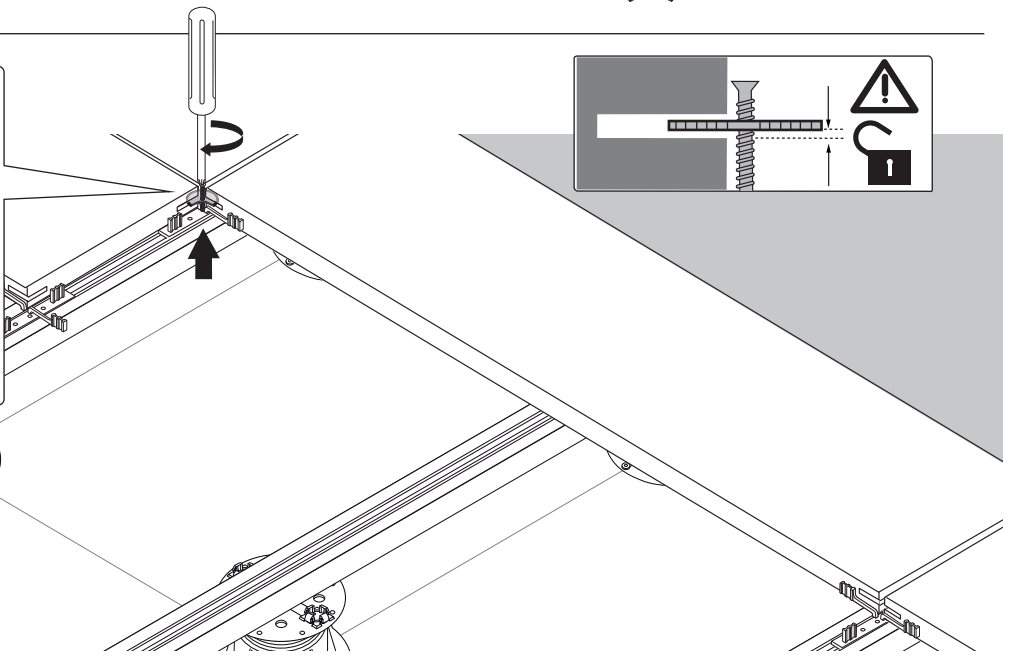
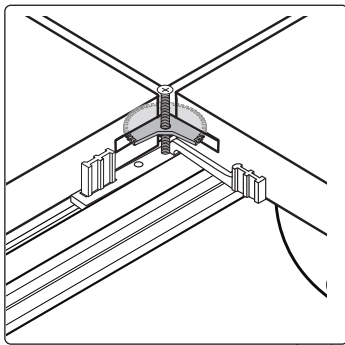


8

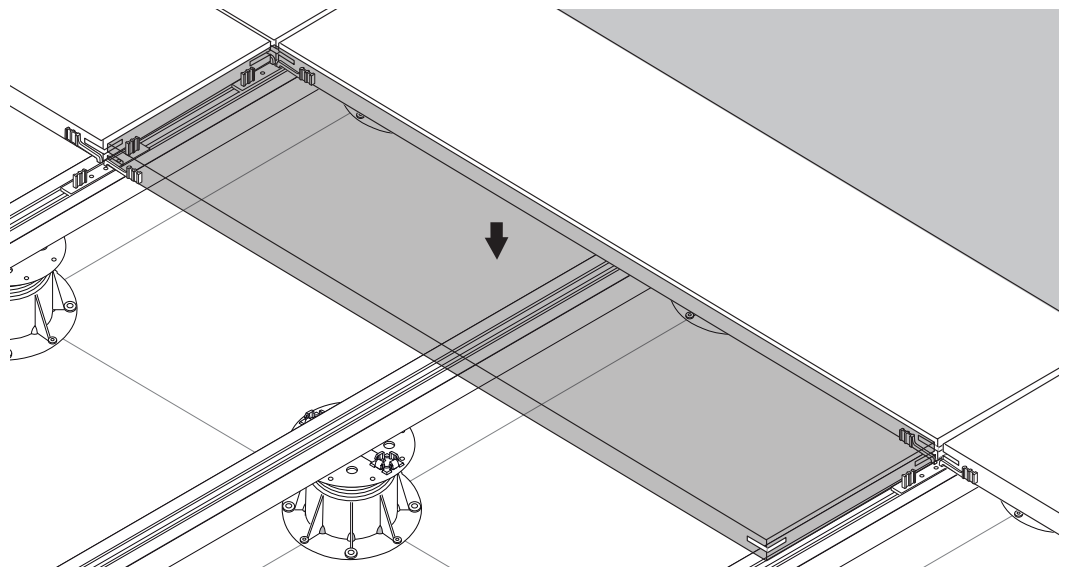


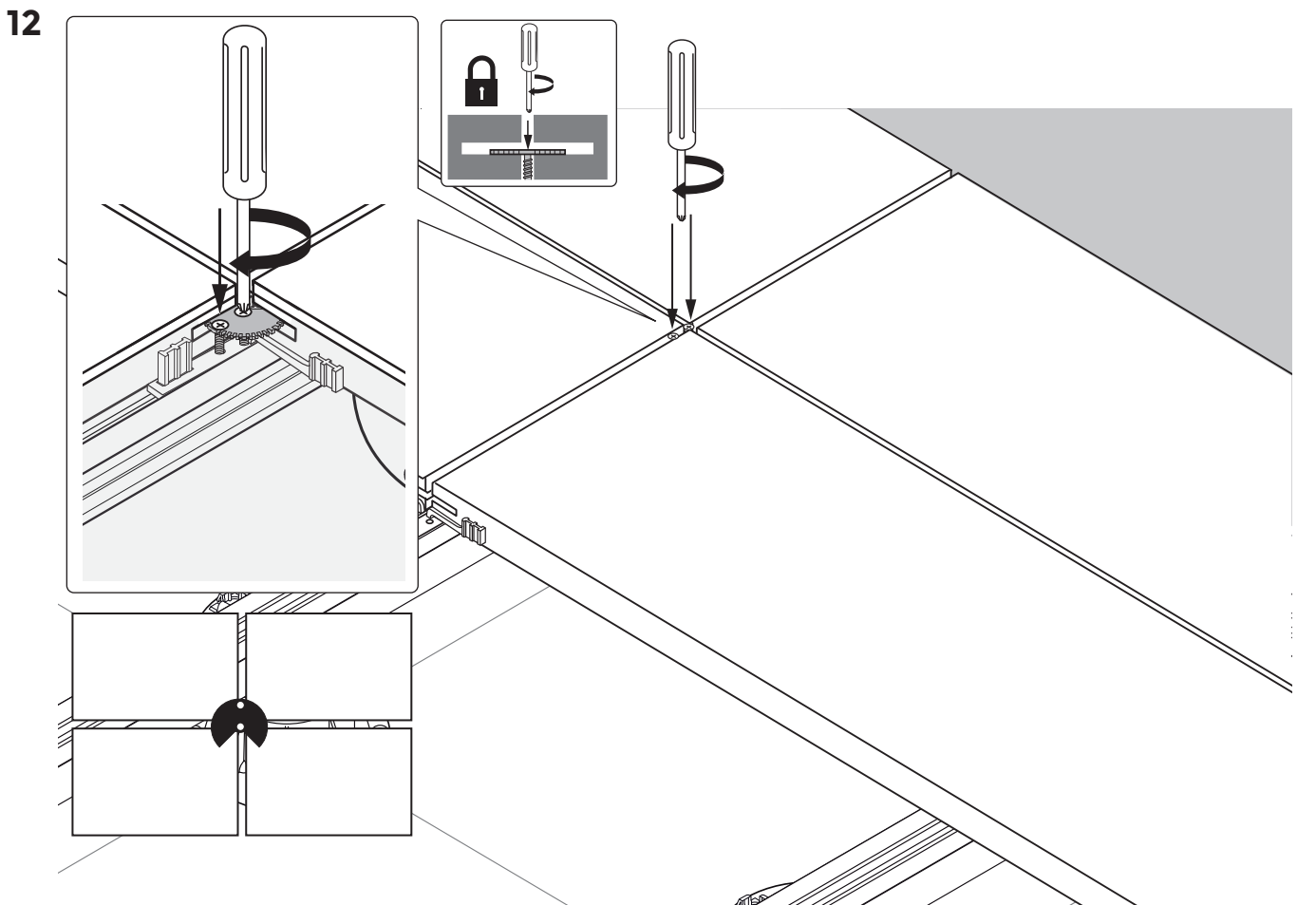
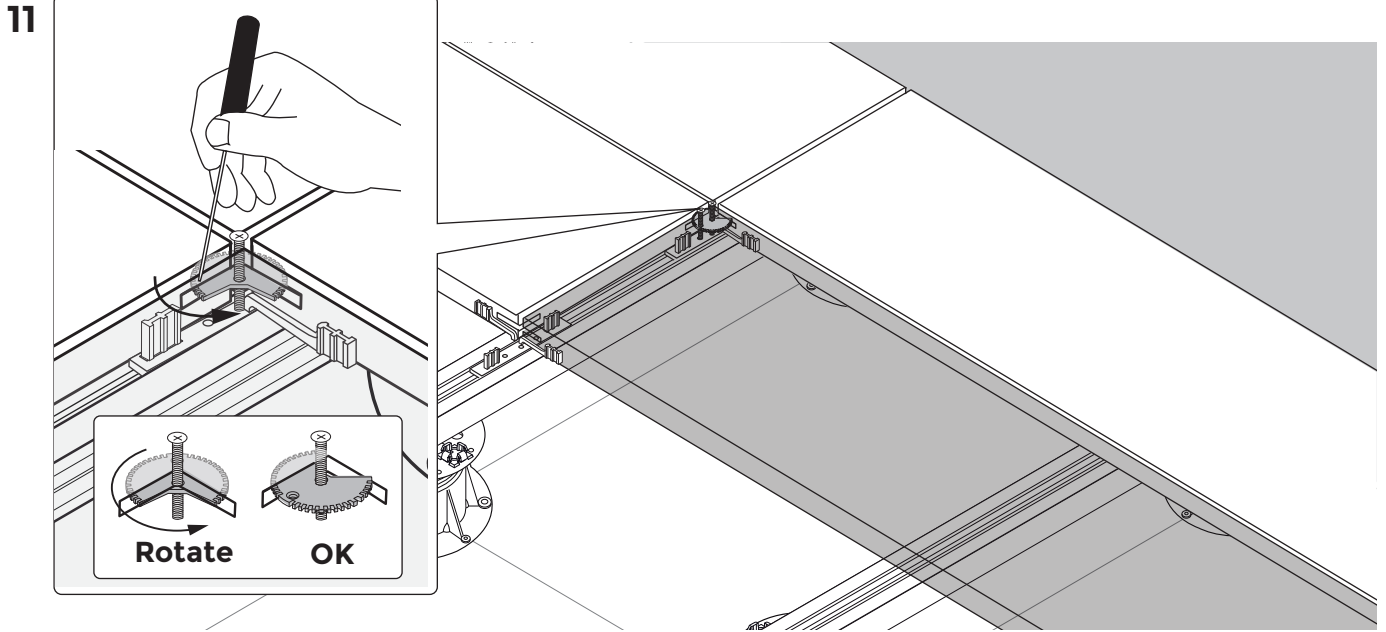


9



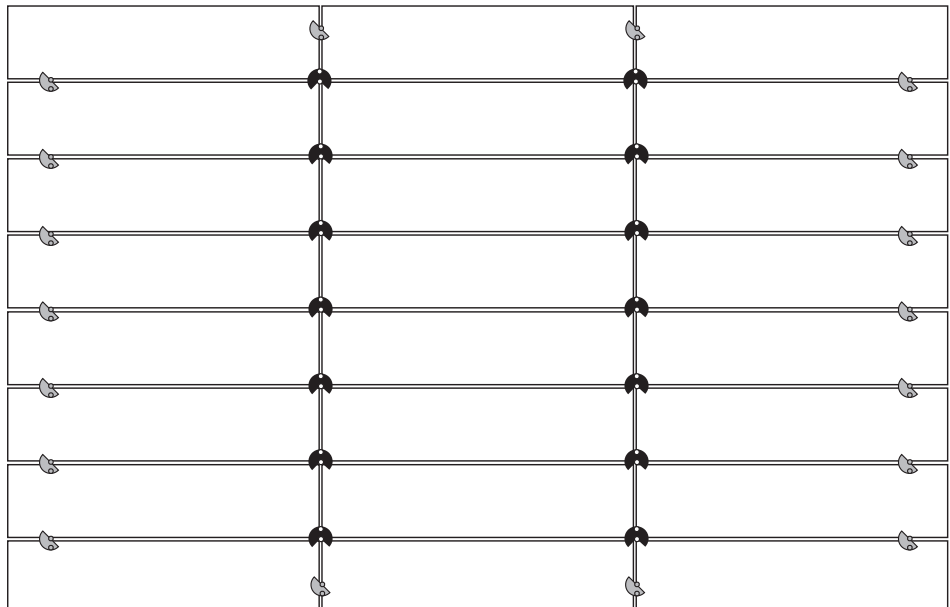
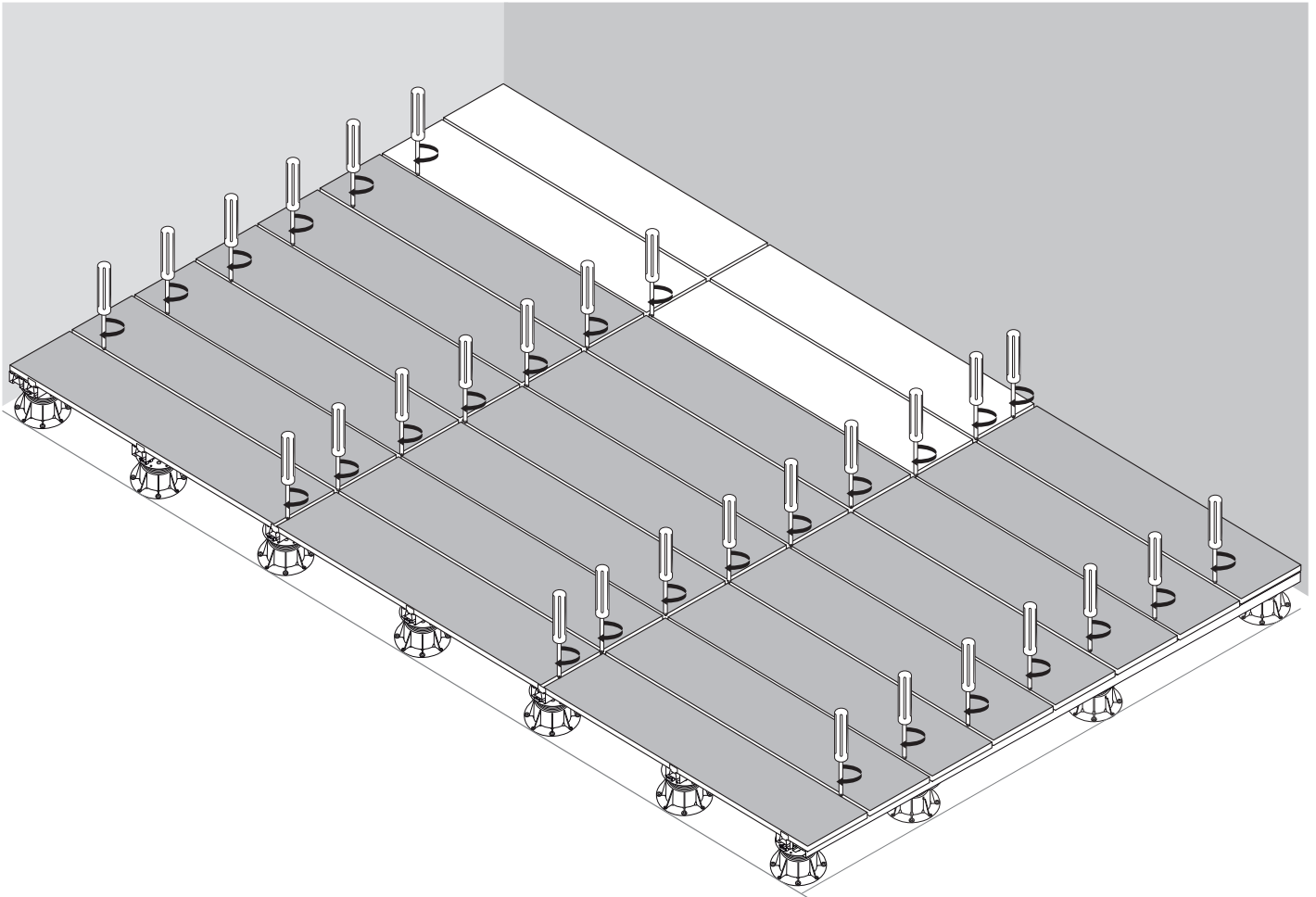
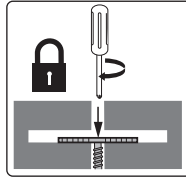
10



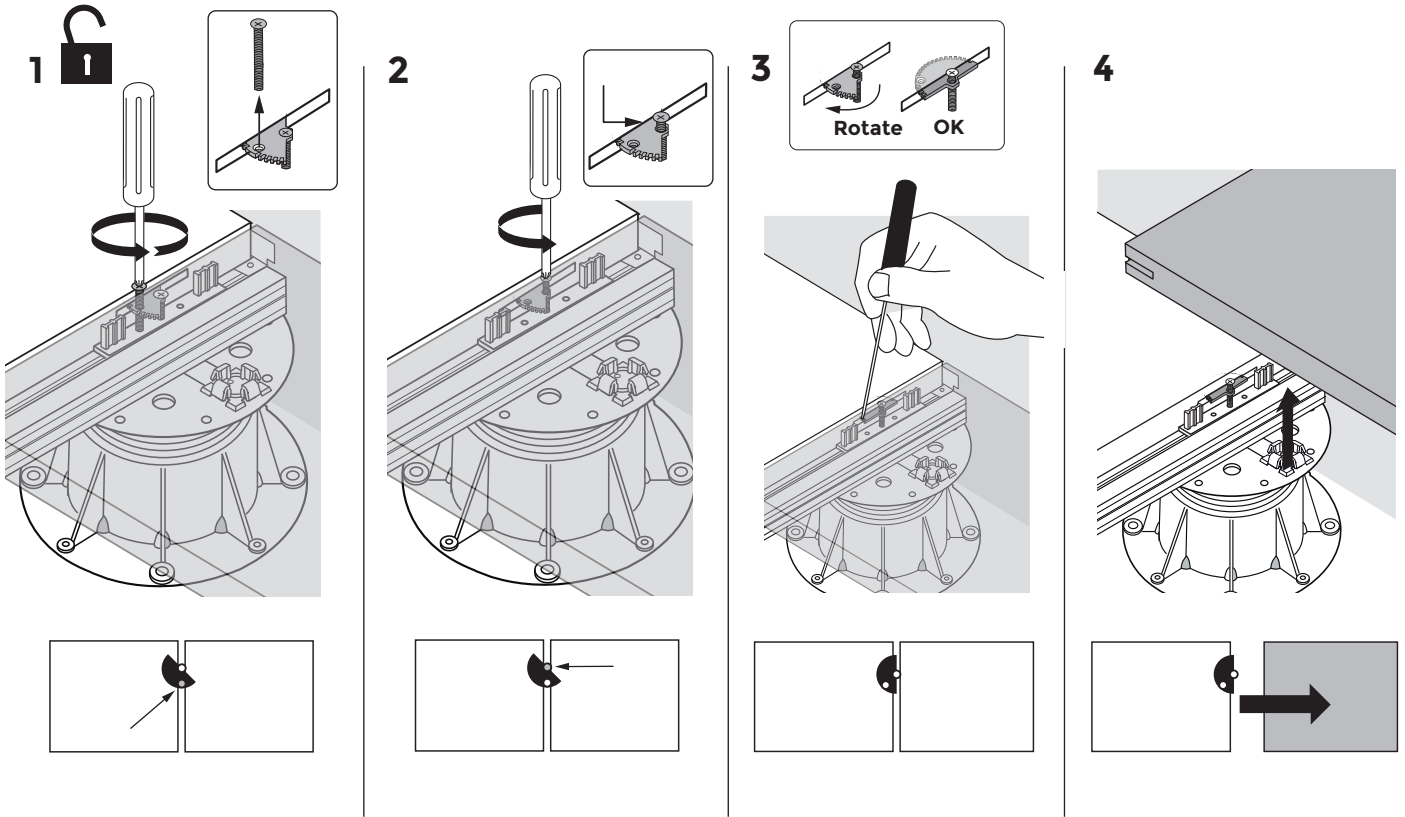


Finish using the same method

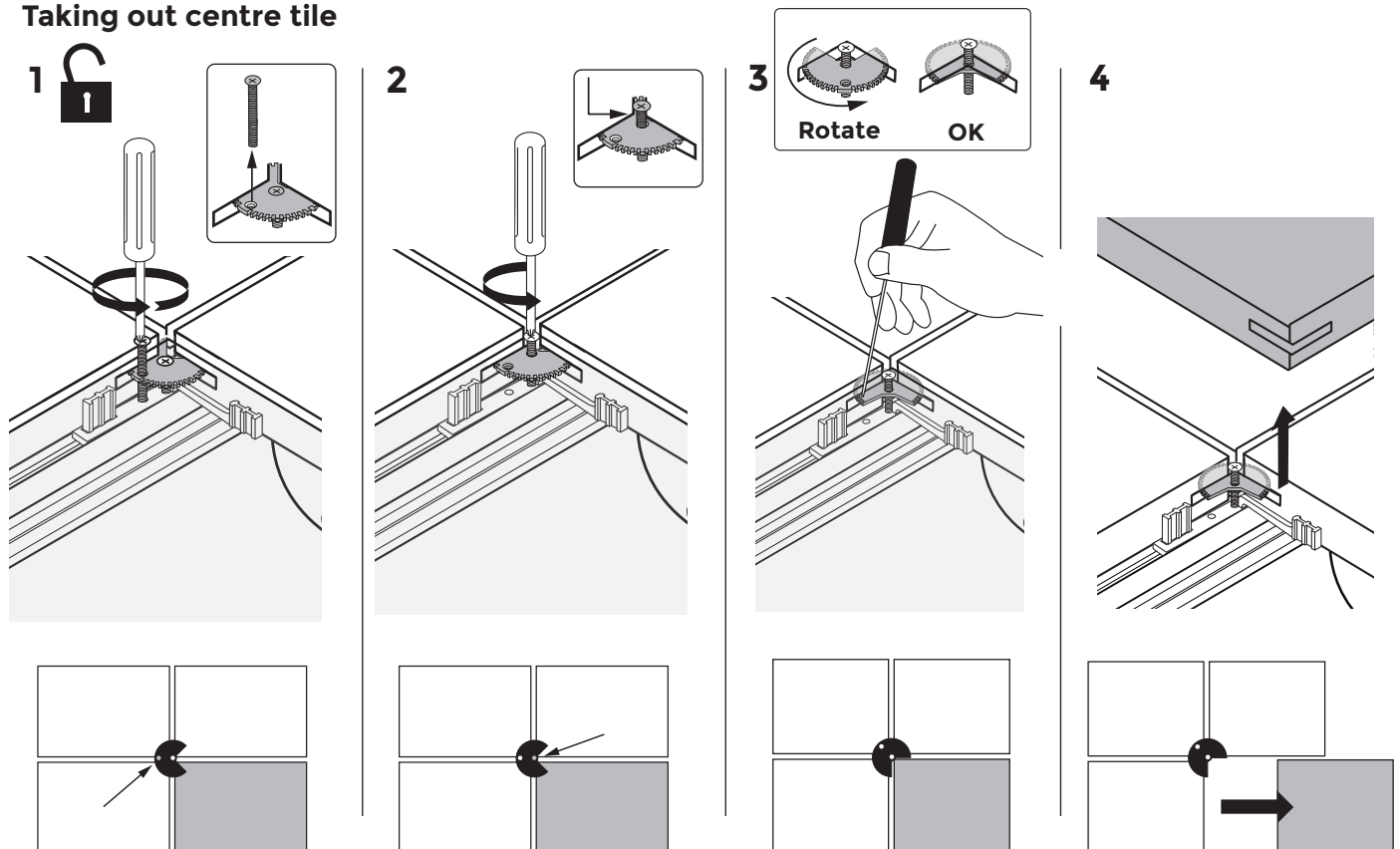
13 Finish using the same method



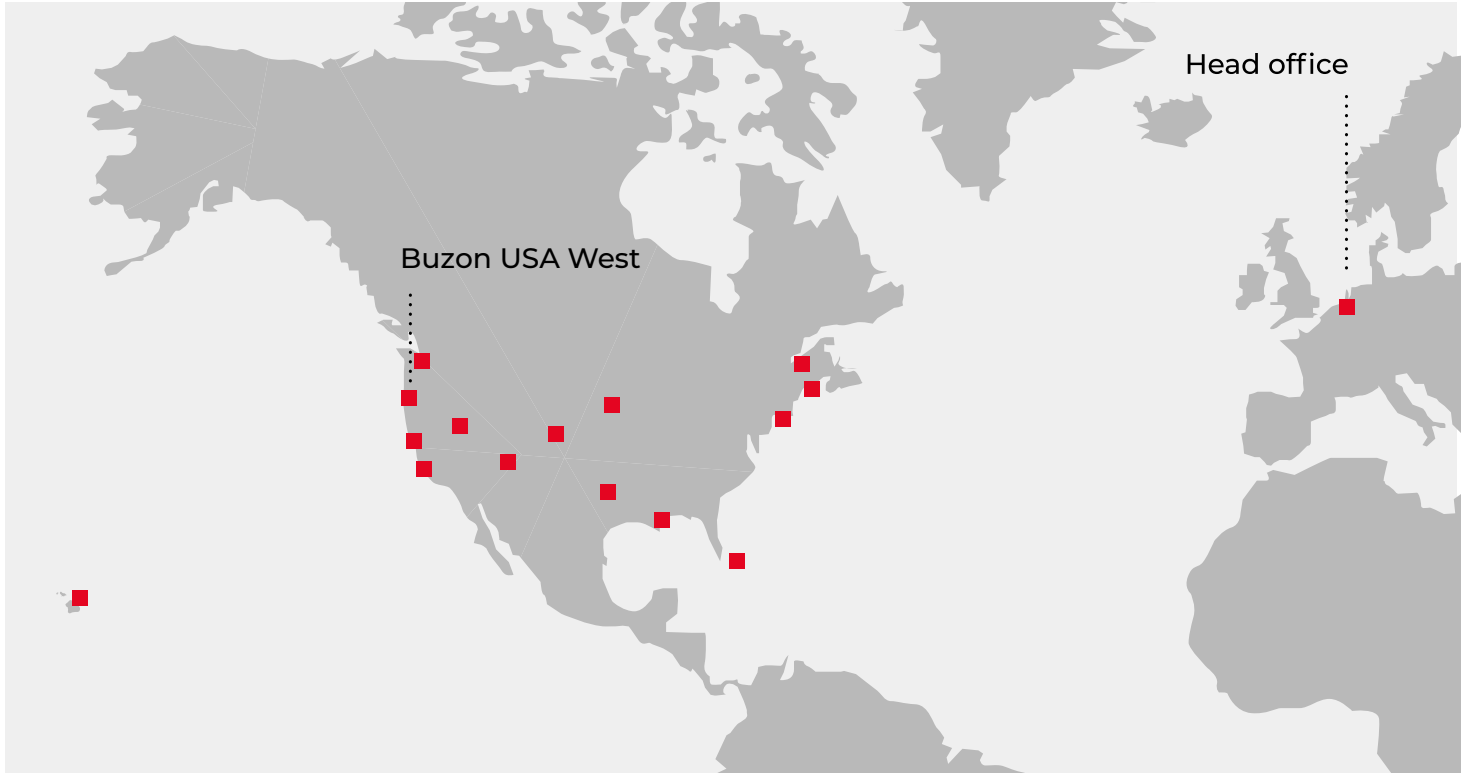
Taking out one corner or perimeter tile



Taking out centre tile

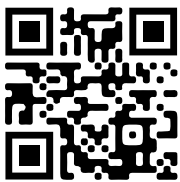


Buzon USA West Projects



References

- Sun's Practice Facility - Phoenix, AZ
- Sony Studio HQ - Los Angeles, CA
- Apple Campus - Palo Alto, CA
- Samsung HQ - Palo Alto, CA
- Lucille Packard Children's Hospital - Stanford, CA
- Haas School of Business - UC Berkeley, CA
- IMAX Theater - Nassau, Bahamas
- Four Seasons Hotel - Honolulu, HI
- Canal Street Rooftop Pool - New Orleans, LA
- Smith Center Harvard University - Cambridge, MA
- Microsoft Campus - Redmond, WA
- The Dean - Palo Alto, CA
- Nike Campus HQ - Beaverton, OR
- Hoakalei CC - Ewa Beach, HI
- Hilton Grand Islander - Honolulu, HI
- Four Seasons Resort at Ko Olina - Kapolei, HI
- One World Trade Center - New York City, NY
- Wynn Resort & Casino Hotel - Las Vegas, NV



Buzon®
 Buzon USA West
 sales@buzonusawest.com
 buzonpedestals.com
 (503) 954 - 3336

