

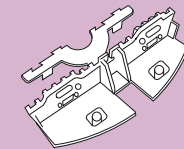
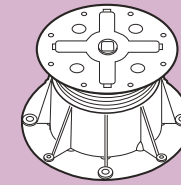


How to place and remove the CLIP KIT-5 Adjustable pedestals PB-Series

Components

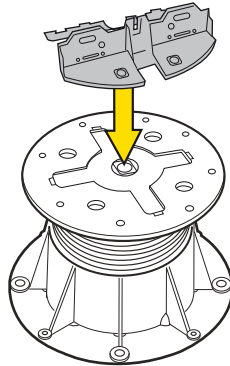
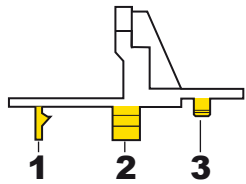


PB-series
Base + Head

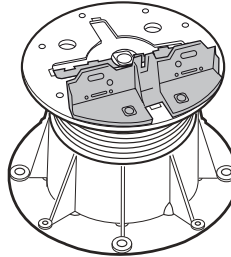


PB-CLIP-KIT-5

Place the CLIP-KIT-5 on the head of the pedestal



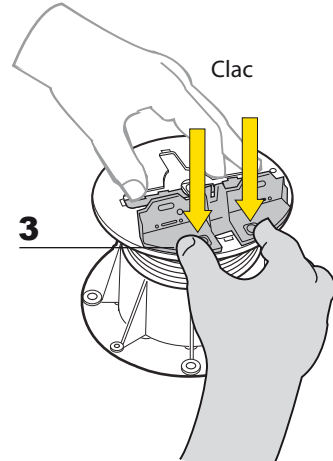
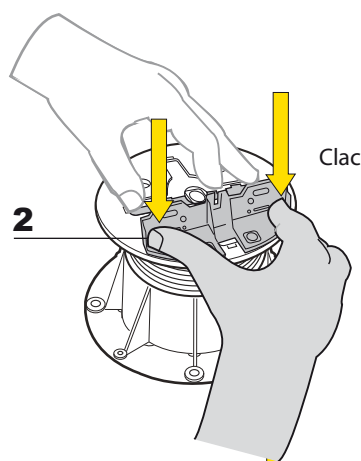
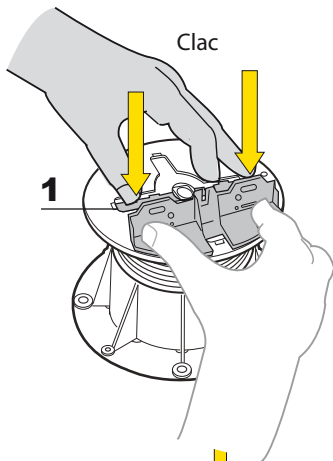
OK



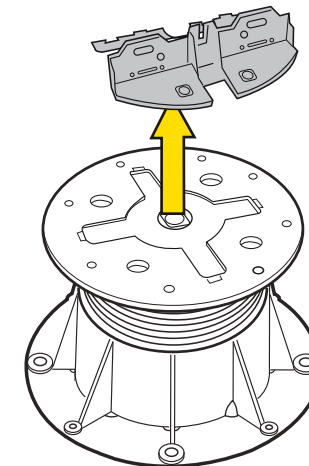
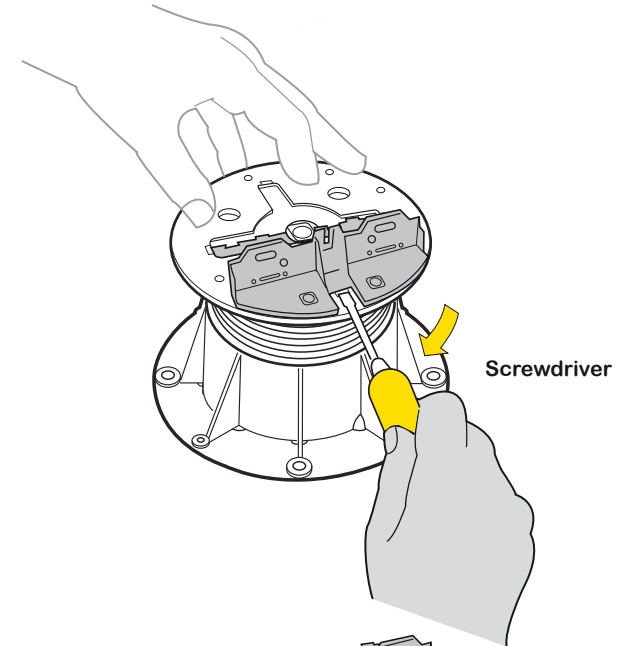
1

2

3



Remove the CLIP-KIT-5



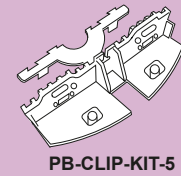
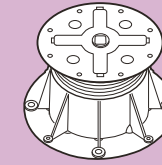


How to place the joist support on the top of the pedestals Adjustable pedestals PB-Series

Components



PB-series
Base + head

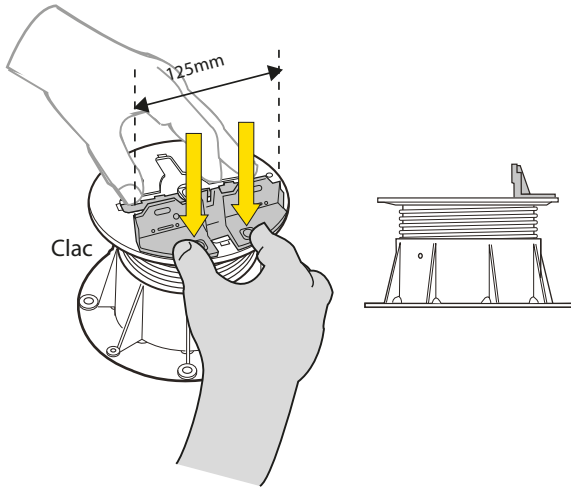


PB-CLIP-KIT-5

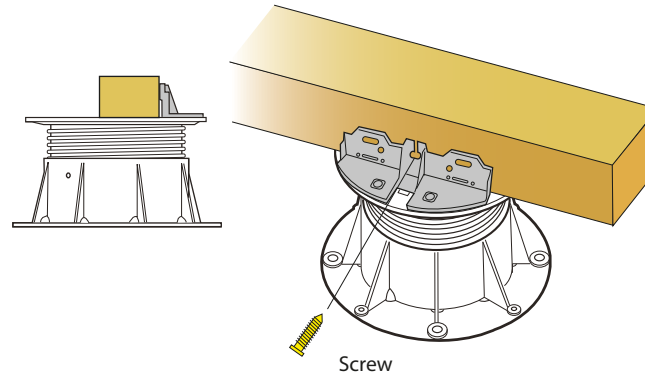


Screw

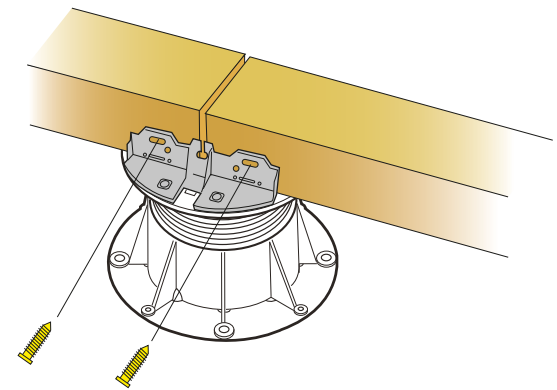
1 Fix the CLIP-KIT-5 on top of the pedestal



2 Put the joist on the support and fix with a screw

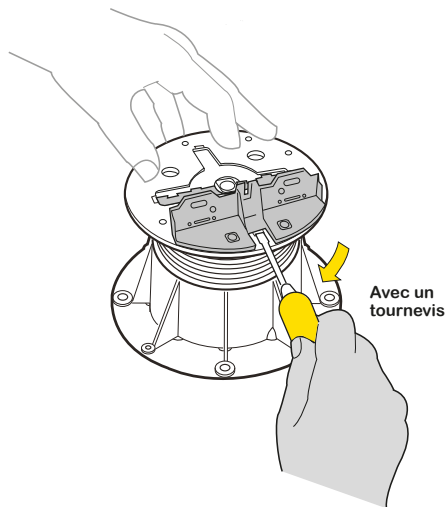


3 Put the two joists on the support and fix with screws

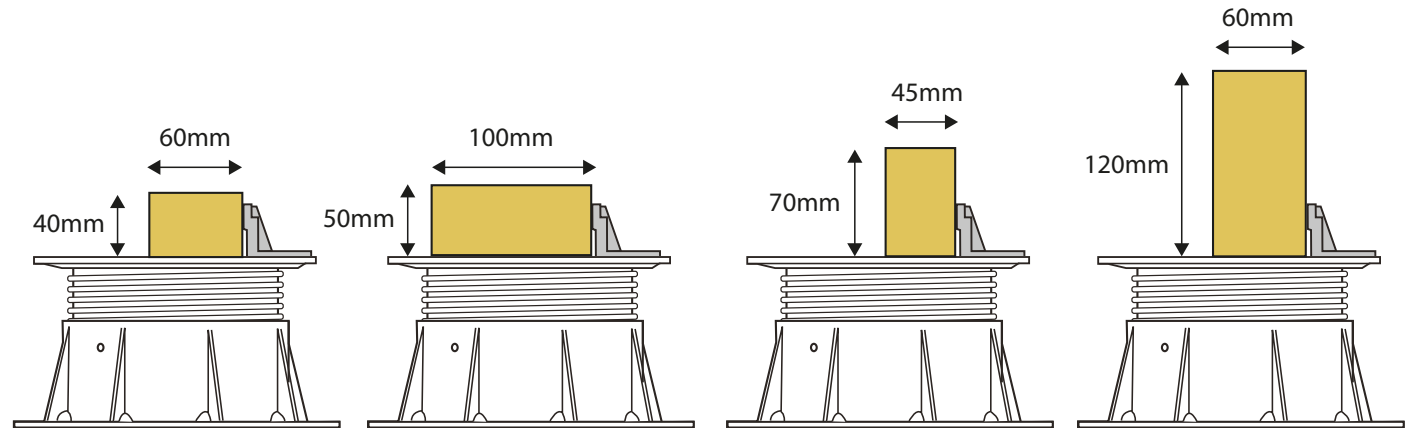


NB: The joist support to a length of 125mm and is provided with three holes for the attachment of a joist (central hole) or two sections of joists (lateral holes)

4 How to remove the CLIP-KIT-5



CLIP-KIT-5 adapts to different dimensions of joists



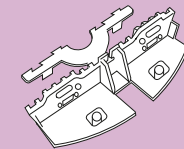
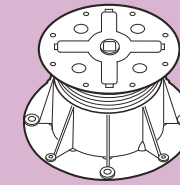


How to place the double joist support on the top of the pedestals
How to fix a joist of 75mm wide with 2 PB-CLIP-KIT-5
Adjustable pedestals PB-Series

Components



PB-series
Base + head

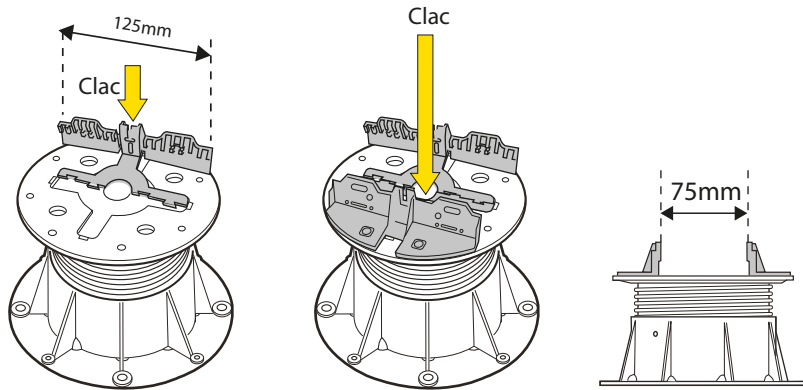


PB-CLIP-KIT-5 X2

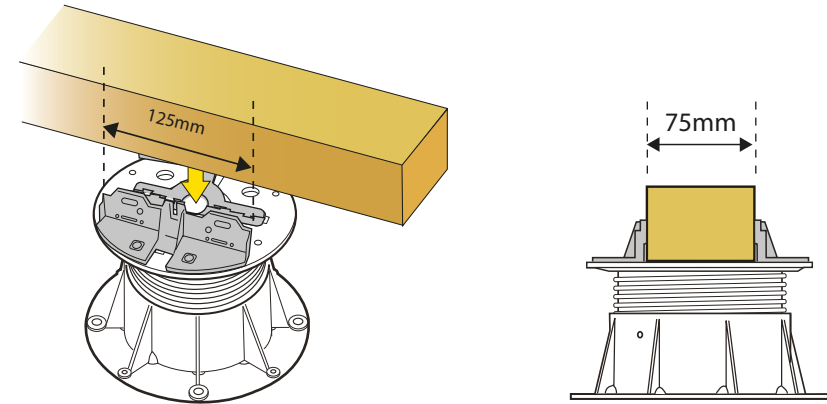


Screw

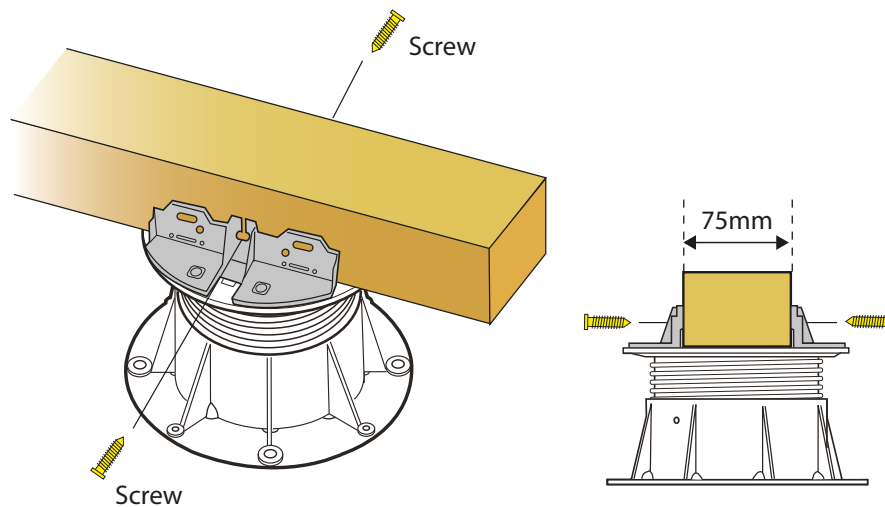
1 Fix the two CLIP-KIT-5 on top of the pedestal



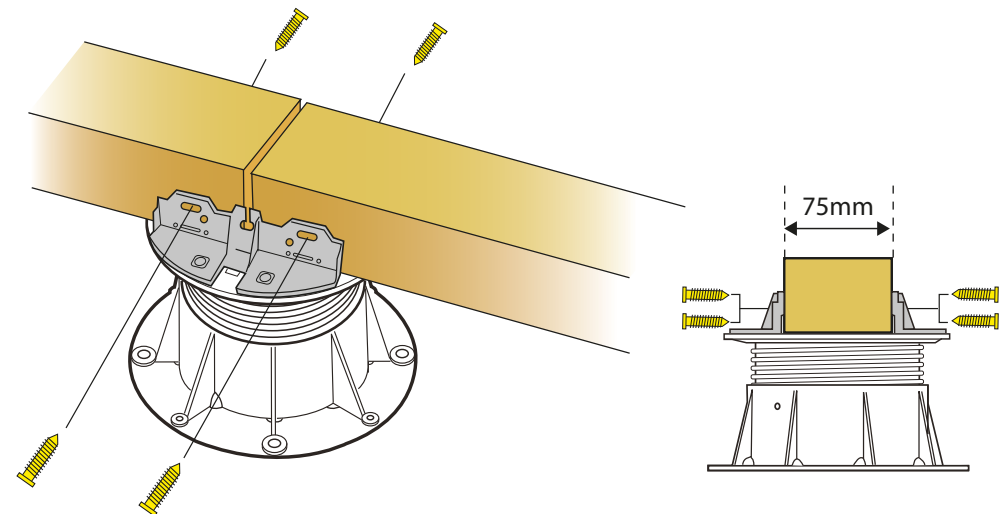
2 Put the joist of 75 mm wide on the support



3 Screw the joist with 2 screws



4 Put the 2 joist sections on top of the pedestal and fix them with 4 screws



NB: The joist support to a length of 125mm and is provided with three holes for the attachment of a joist (central hole) or two sections of joists (lateral holes)